

Plunger Pumps

FEATURING

MANIFOLD: High strength forged brass for long term use.

BOLTS: Eight 10mm grade 8.8.

PLUNGERS: A special aluminum oxide blend, solid ceramic for long life strong durability and more resilient. Ultra thick with SST retaining bolt.

CRANKCASE: Precision die-cast, large cross head for strength, large cooling fins and anodized for maximum heat dissipation.

BEARINGS: Oversized "SKF" taper for maximum life and load disbursement..

VALVES, SEATS, AND SPRINGS: Stainless steel with specially designed Ultra Form cages to provide extra long life and positive seating.

SEALS AND U-PACKINGS: Continuously lubricating for extended life. Triple lip oil seal for assured crankcase seal.

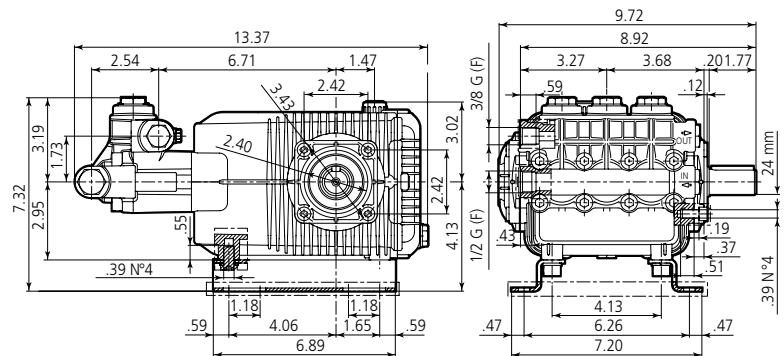
PLUNGER RODS: Stainless steel construction for strength (no plating to scrape off) bolt type retainer with a special plunger sealing system.

CONNECTING RODS: Heavy 2-piece special alloy aluminum based, oversized for maximum strength, load disbursement and life. Heavy pin area construction, for added load strength.

DIMENSIONS



SHP N version Solid shaft pump ø 24 mm



SPECIFICATIONS

MODEL	MAX GPM	MAX LMP	MAX PSI	MAX BAR	POWER EBHP	BORE DIA MM	STROKE MM	CRANKSHAFT ID STAMP	WEIGHT LBS.
SHP15.50N	3.96	15	7250	500	20	18	15	8	29
SHP22.50N	5.80	22	7250	500	27	18	21	7	29

Oil Capacity = 32 oz

Maximum Fluid Temperature = 140° F

Inlet Thread = 1/2" F

Discharge Thread = 3/8" F

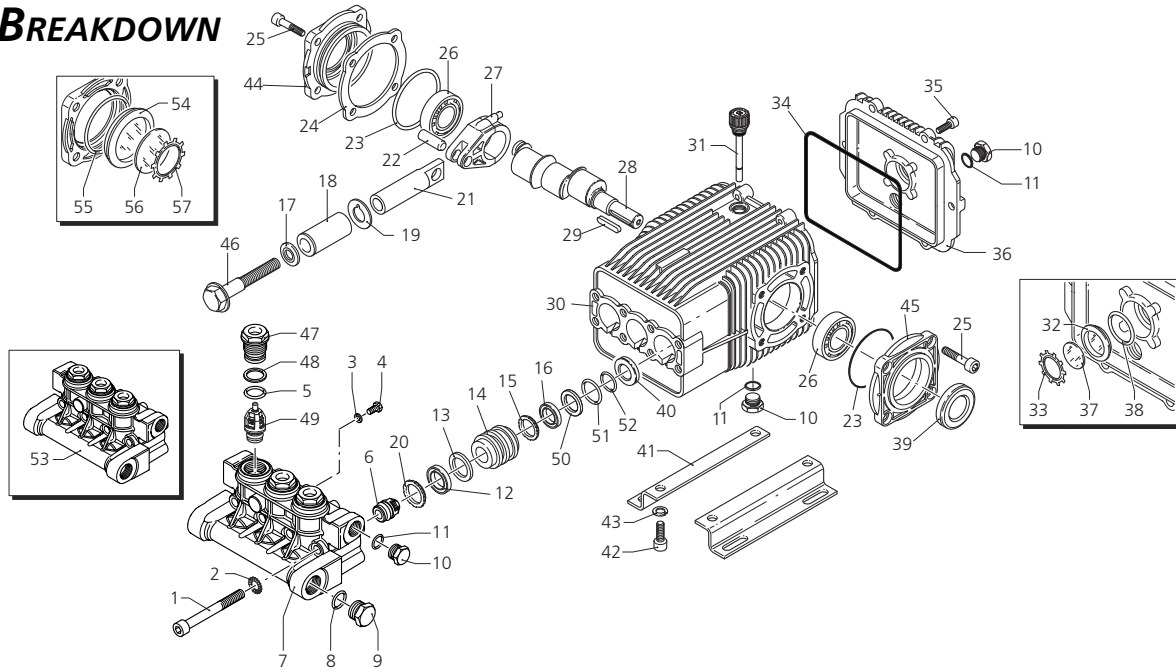
Torque Specifications Inch pounds (ft. lbs)

HEAD	PISTON NUT	REAR COVER	SIDE COVER	VALVE CAP	CON RODS
442 (37)	62 (5.2)	92 (7.7)	217 (18)	531 (44)	89 (7.5)

SPECIAL NOTE: Use AR64516 Oil. First change oil after 50 hours of use. Then every 500 hours. This oil is specially formulated to provide correct lubrication properties for our pumps. **No** other oil is factory approved for these pumps.



PARTS BREAKDOWN



Pos.	Code	Description	Qty.	Pos.	Code	Description	Qty.	Legend							
1	850260	Screw	8	39	820680	Seal	1	Ø 18		Ø 18					
2	650530	Washer	8	40	1940560	Seal	3	For ○		For □					
3	2460810	Screw	3	41	1940370	Base	2	SHP15.50		SHP22.50					
4	1982570	Washer	3	42	1940380	Screw	4	Repair Kits							
5	880830	O-Ring	3	43	200231	Washer	4								
6	1949052	Complete valve	3	44	1949011	Complete side cover	1	Water Seal	Pistons	Valve	Oil Seals				
7	1942190	Pump head	1	45	1941240	Open bearing support	1	Kit 2874	Kit 2872	Kit 2185	Kit 2873				
8	180101	O-Ring	1	46	1940920	Piston fixing screw	3	Pos.	Qty.	Pos.	Qty.	Pos.	Qty.	Pos.	Qty.
9	820361	Plug 1/2" G	1	47	1940940	Plug	3	12	3	18	3	6	3	23	2
10	1980740	Plug 3/8" G	3	48	1941070	Ring	3	13	3			49	3	34	1
11	740290	O-Ring	3	49	1949053	Complete valve	3	20	3					39	1
12	1941200	Plug	3	50	1941030	Spacer	3							40	3
13	1941050	Ring	3	51	820490	O-Ring	3	Piston Guide Kit 2875							
14	1940950	Piston guide	3	52	1941010	Snap ring	3								
15	1941350	Support ring	3	53	1949215	Pump head assembly	1	Pos.	Qty.						
16	1941340	Gasket	3	54	1941270	Oil indicator	1	14	3						
17	1340600	Washer	3	55	100410	O-Ring	1	15	3						
18	1941020	Piston	3	56	1941260	Disc	1	16	3						
19	1383190	Spacer	3	57	1941290	Snap ring	1								
20	1941190	Support ring	3												
21	1940960	Guiding piston	3												
22	1940060	Con rod pin	3												
23	1941380	O-Ring	2												
24	1941390	0,05 mm shim	1												
25	850370	Screw	8												
26	1140410	Bearing	2												
27	1940050	Con rod	3												
28	1940980	Crankshaft	○ 1												
29	650250	Key	□ 1												
30	1941330	Pump housing	1												
31	1140370	Plug	1												
32	1260250	Oil indicator	1												
33	1260430	Snap ring	1												
34	1940410	O-Ring	1												
35	1200430	Screw	6												
36	1949010	Complete cover	1												
37	1780690	Disc	1												
38	1140450	O-Ring	1												

